

FITTINGS FLANGES

F Series



FK Series



Application

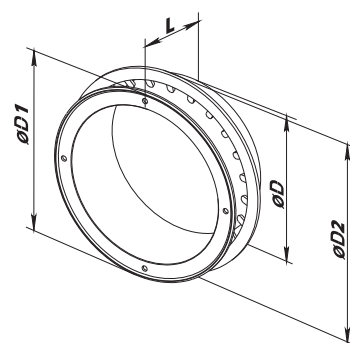
- For connection of flexible air ducts, plastic ducts and air disk valves of suitable diameter without flanges.
- For wall or ceiling mounting.

Design

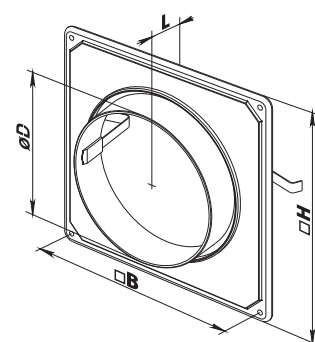
- Made of high-quality plastic.
- **F Series** flanges are equipped with a retaining ring for fixation of flexible air ducts.
- The flange model **F 200/150** can be used as a connector for the air disk valves A 200 VR and A 200 R.
- **FK Series** flanges are equipped with a connecting plate.
- Fixing to wall or ceiling with screws.

Overall dimensions

Model	Dimensions [mm]			
	D	D1	D2	L
F 80	80	115	120	62
F 100	100	132	139	62
F 125	125	157	165	62
F 150	150	179	188	62
F 200	200	232	240	62
F 200/150	150	200	179	85
F 250	250	283	290	62
F 315	315	360	356	62



Model	Dimensions [mm]			
	H	B	D	L
FK 100	185	169	100	34
FK 120	185	169	120	34
FK 125	185	169	125	34



Accessories

